

RECUMBENT ERGOMETER

# *ergoselect 600*



***ergoline***  
MOVING TO HEALTH

RECUMBENT ERGOMETER

## *ergoselect 600*

Constructed and approved for patients weighing up to 300 kg, the *ergoselect 600* makes it possible to conduct exercise tests and cardiovascular training, including with morbidly obese patients.

The ergoline recumbent ergometer is also the right exercise and training unit for elderly or disabled patients.



Learn more about *ergoselect 600* –  
with 360° view and technical features.

*ergoline* recumbent ergometer ergoselect 600

***ergoline***  
MOVING TO HEALTH

- patient weight up to 300 kg
- stable support handle
- low step-through frame
- 3-point backrest adjustment
- special pedal shoes
- excellent stability
- load range from 6 to 450 Watts (1000 Watt option)
- user-programmable exercise test protocols
- universal interfaces
- wide range of expansion options





### **Max. patient weight up to 300 kg**

The stable, high-quality design guarantees trouble-free operation, even with continuous use.

A sturdy support bracket made of tubular steel gives patients a secure hold while moving on and off the ergometer. The powder-coated surface is impact and scratch-resistant, hygienic and resistant to disinfectants and cleaning agents.



### **Flexible seat adjustment**

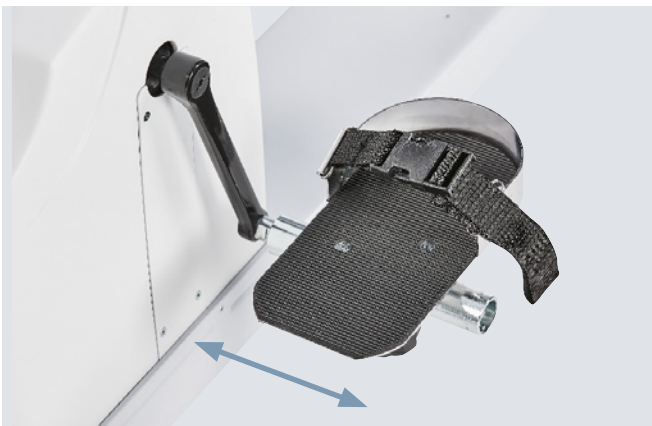
The seat position can be quickly and easily adjusted in a wide range – including while sitting – by simply lifting the locking lever.

The high backrest provides ideal relief of the lumbar and sacral area during training or ergometric tests. The inclination angle of the backrest can be adjusted as well.



### **Additional cushion**

The seat height can be simply adjusted to the corresponding patient size by adding seat cushions.



### **Special pedal shoes**

The use of laterally adjustable pedal shoes allows for optimal pedal distance settings for every patient.

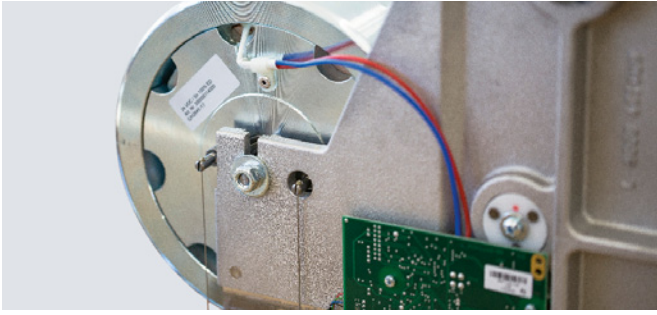


### **Control terminal**

All key data in a single display.

The LC display stands out for its excellent readability. The intuitive user interface enables the easy performance of custom ergometric protocols or manual load adjustment.





### **Precise load control**

Thanks to the use of high-quality control electronics and reliable components, our devices don't just meet the standard specifications for medical ergometers, but far exceed them. Over the entire load range from 6 to 1000 Watts.



### **Automatic blood pressure measurement**

The optionally integrated, automatic blood pressure measurement works with a specifically developed cuff microphone.

The combination of auscultatory measurement and sophisticated algorithms for artifact suppression yields precise measurement values – even at high loads.



### **ECG connection/universal interfaces**

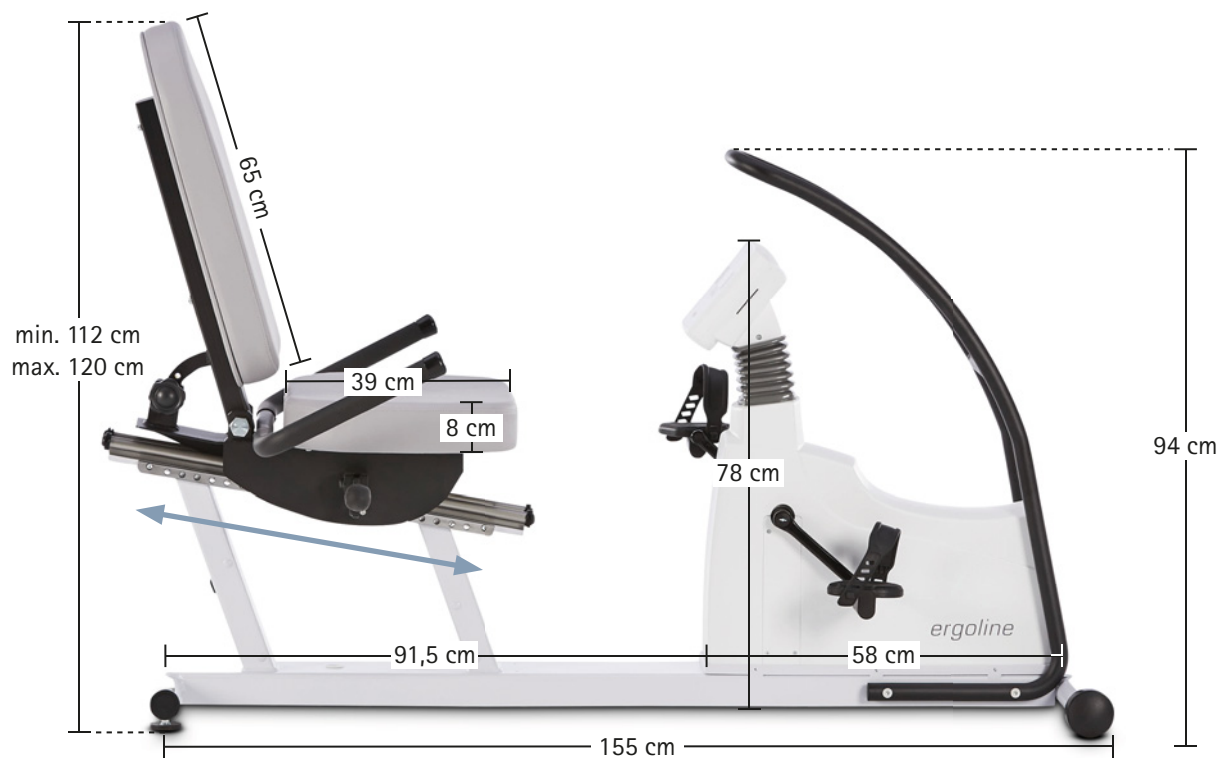
All leading ECG manufacturers support a control option for ergoline ergometers in their exercise ECG or ergospirometry systems.

ergoline ergometers offer a wide range of interfaces for this purpose. In addition to the standard RS-232 and USB interface, analog and wireless connections via Bluetooth or WiFi are available as well.



## *ergoselect 600* – Measurement

### Dimensions



## ergoselect 600 – Technical Specifications

Recumbent ergometer	ergoselect 600
Brake system	computer-controlled eddy current brake
Load	6 – 999 watts, speed-independent
Accuracy	to DIN VDE 0750-238
Speed range	30 – 130 rpm
Horizontal seat adjustment	for body height from 150 cm to 210 cm
Patient weight (max.)	300 kg
Width of seat	54 cm
<b>Control terminal</b>	
Display / patient display	load, speed (rpm), time, blood pressure, heart rate (LCD)
Graphic display (load or pulse curve)	○
Keyboard	membrane keyboard
<b>Exercise test protocols</b>	
User programmable	10
Predefined incremental protocols (WHO, Hollmann, etc.)	5
Manual load control	●
<b>Training protocols</b>	
Pulse-controlled training (integrated receiver)	○
Preprogrammed performance tests	○
<b>Expansion options</b>	
Automatic blood pressure measurement	○
SpO2 measurement	○
ECG amplifier (ERS rehabilitation system)	○
<b>Interfaces</b>	
Digital (RS-232 USB) / analog / remote start	● / ○ / ○
ERS rehabilitation system communication port	○
<b>Dimensions and weight</b>	
<b>Ergometer</b>	<b>Ergometer with packaging</b>
Length: 165 cm	Length: 209 cm
Width: 75 cm	Width: 80 cm
Height: 108 cm	Height: 157 cm
Weight: 86 kg	Weight: approx. 100 kg
<b>Miscellaneous</b>	
Power supply	100 – 240 V / 50 – 60 Hz / 100 VA max.

● Standard ○ Option

PREMIUM QUALITY



MADE IN GERMANY

**ergoline GmbH**

Lindenstraße 5 | D-72475 Bitz, Germany

Phone: +49-(0)-7431-9894-0 | Fax: +49-(0)-7431-9894-128

email: [info@ergoline.com](mailto:info@ergoline.com) | [www.ergoline.com](http://www.ergoline.com)