

by anandic

WEYER



Warming care



## VARIOTHERM<sup>®</sup>

The infant care system for postnatal care, resuscitation and intensive care



Convenient, safe, reliable 

# VARIO THERM®

During the first hours and days of life, new born and premature infants primarily need warmth, comfort and closest possible contact to their parents. The VARIO THERM® infant care system has been developed for these very specific conditions and offers unimpeded access for diagnostic and therapeutic measures as well as care treatments.

The VARIO THERM® product line is modular and can be adapted to different situations, e.g. examination, resuscitation or intensive care. With different types of acrylic wall assemblies and numerous accessories of choice, the device can be upgraded to a fully functional care unit.

The suitable version for your application:



### VARIO THERM® C

Infant care system with CERAMOTHERM® radiant warmer, static height or height-adjustable



### VARIO THERM® KCE

Infant care system with CERAMOTHERM® radiant warmer and under-pad heating with soft-gel pad, static height or height-adjustable

Available acrylic wall assemblies:



Wall assembly optional 170 mm or 250 mm high, three sides can be folded down, always with two additional safety side walls

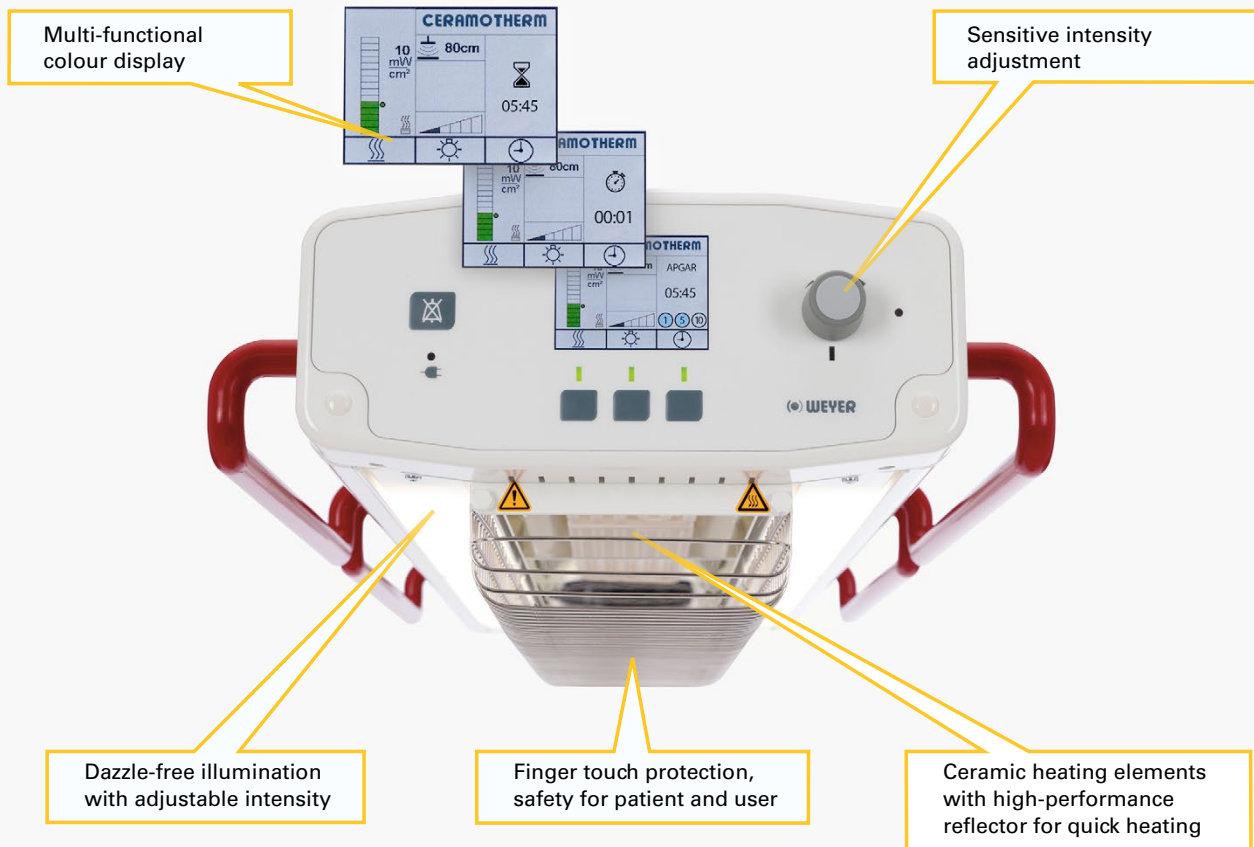


For the VARIO THERM® infant care system with 250 mm wall assembly, a one-piece or two-piece canopy is optional



## Sensible gentle warming and more

CERAMOTHERM® radiant warmers are at the heart of WEYER warming care.



### Gentle warming

Long-wave infrared radiation is not visible and has a gentle effect on the epidermis, the subjacent dermis and the bloodstream.

The integrated high-performance reflector spreads the infrared radiation efficiently and evenly all over the patient deck.

The intensity of the infrared radiation is precisely adjustable in  $\text{mW}/\text{cm}^2$ , alternatively in %. A pre-set starting value can be chosen in the menu.

The radiant warmer can optionally be upgraded with patient temperature control.

3 integrated timers (Apgar timer, countdown timer and stop watch) give indication of each situation and facilitate close recording of the patients' development.

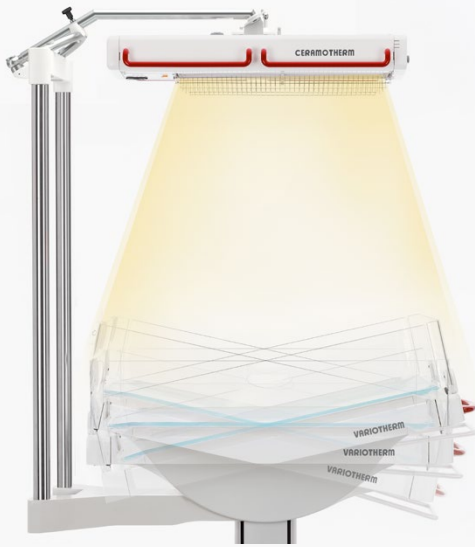
The colour display adjusts its brightness to existing light conditions. This ensures good readability, day or night.

### Homogeneous illumination

For treatment of small patients, the best light is just enough. Infants, in particular new born babies, are stressed when they are dazzled by a sudden glaring spotlight. Therefore the large-area lamps switch the light on and off gently. The babies remain calm and feel cosy.

The light's colour temperature of 4000 Kelvin guarantees an excellent appearance and is suitable for examinations and minor operations.

The light intensity can be adjusted in 5 steps, ensuring optimum light, day or night. A pre-set starting value can be chosen in the menu.



## Focus on the patient

The patient deck can be tilted up and down by one hand. The EPR-function (Each Position Radiation) ensures an optimum warming comfort with the patient remaining below the radiant warmer. The baby is never exposed to temperature fluctuations.

Moreover, the distance of the patient to connected monitors or devices remains the same in any position. Therefore an unintended detachment of pipes and hoses is prevented.



## Swivelling radiant warmer

No hypothermia or cold stress when the radiant warmer is swivelled to one side.

The CCM-Function (Clever Curve Movement) focuses the radiation on the patient, even in swivelled position. The radiation is always where it's needed, without heat exposure for attending nursing staff or parents.

## Actively heated gel pad

The VARIO THERM® infant care systems order no. WY3042 and WY3043 are equipped with an actively heated gel pad.

The soft gel pad is optimised for small patients and helps prevent pressure sore even during long-term care.

The combination of long-wave infrared radiation and actively heated gel pad allows to reduce the radiation intensity noticeably. Transepidermal water losses are reduced to the same extent and the patient remains calm and unstressed.

The stable thermally neutral environment provides best conditions for open care.



Under-pad heating  
(depending on model)

## Sophisticated patient deck, functional wall assembly

The walls of the VARIOTHERM® infant care system can be folded up and down by one hand. Cables and hoses can be passed and fixed through openings or grommets easily.

The concave shaped sides of the patient deck and the safety side walls prevent the patient from falling out of the bed when the walls are folded down. For an unimpeded access to the patient the safety walls can be retracted into the patient deck completely.

## Gentle soft-lift height adjustment

Depending on the device model the height of the patient deck can be adjusted smoothly and is operated with foot pedals. The smooth movement does not startle the baby maintaining comfort.

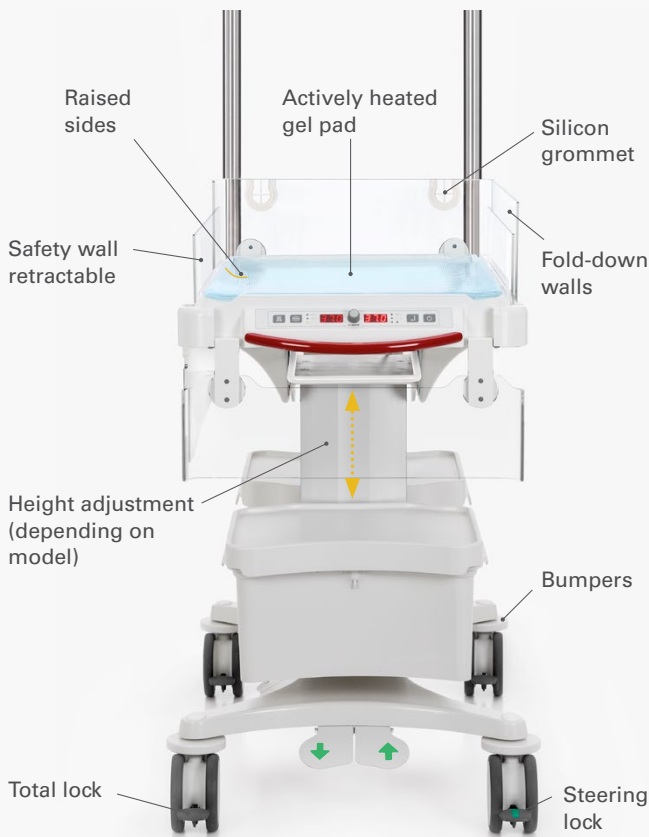
## Easy change of location

Sturdy smooth double castors provide a stable position of the VARIOTHERM® infant care system and allow easy movement. One castor is fitted with a steering lock which guarantees a perfect directional stability and allows maneuvering around corners and furniture.

Four bumpers protect the VARIOTHERM® infant care system, surrounding furniture and walls from potential damage.

## Built in convenient storage

During care it is important to have necessary items available at all times. The drawers of the VARIOTHERM® infant care system are accessible from all sides and in every situation.



## Modular components

Because of its modular system, it is possible to create an individual, variable set-up of the VARIOTHERM® infant care system, suitable for all requirements.

Following the use of compatible components complying with standard rail 25 x 10 (EN ISO 19054), not only the components mentioned here can be used. It is also possible to add already existing components as well as other manufacturers' devices, given that this would correspond to their intended use.

By using the power cord order no. WY1858 electrical equipment can be connected to the take-off sockets which are fixed at the VARIOTHERM® infant care system.

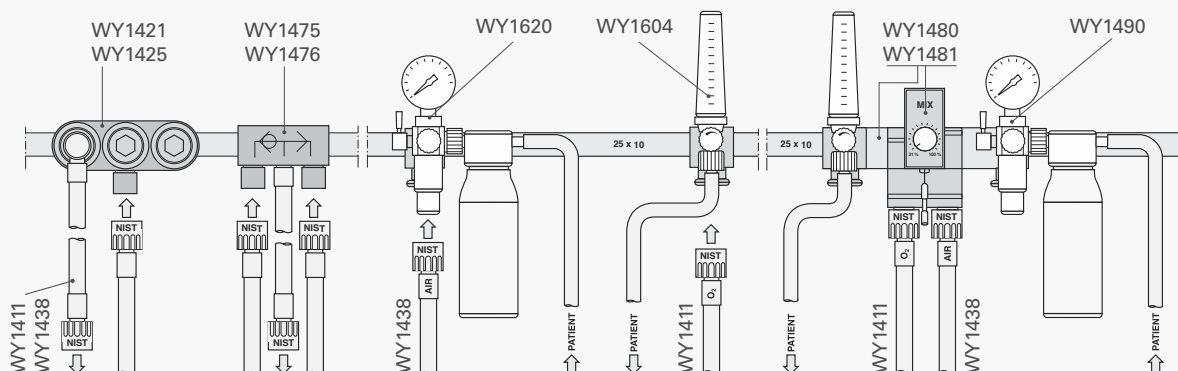
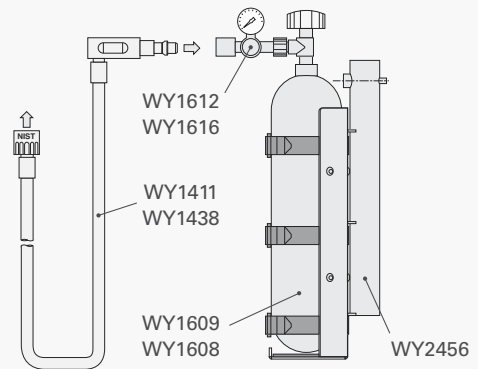
It is possible to fix up to 4 shelves at the soft-lift pillar for storing necessary material.

Alternatively, drawers can be placed below the shelves (max. 2 drawers and 2 shelves per device).



## Provision for compressed air operated equipment

According to the requirements of the care unit it is possible to connect compressed air operated equipment, e.g. suction, insufflation, ventilation and other devices, to central pipelines and pressure cylinders. Where more than one compressed air operated unit or oxygen supply shall be connected, standardized oxygen air distributors with three take-off sockets are available. Optionally available preference valves allow uninterrupted gas supply in case one of the pressure sources is not available.



# VARIO THERM®

- **standard configuration**
- ▲ **essential for use**
- **accessory**

All VARIO THERM® devices are equipped with:  
 4 smooth double castors, 3 with total lock, 1 with steering lock, patient deck 480 x 760 mm, head-up and head-down position adjustable up to ±12°, 3-4 take-off sockets 230 V for additional devices, swivelling radiant warmer with CCM-function, tube assembly Ø 40 mm.

	<b>VARIO THERM® C</b> with radiant warmer, static height	<b>VARIO THERM® C</b> with radiant warmer, height-adjustable	<b>VARIO THERM® KCE</b> with radiant warmer and under-pad heating, static height	<b>VARIO THERM® KCE</b> with radiant warmer and under-pad heating, height-adjustable	
<b>Configuration of base device</b>	Order No.	WY3040	WY3041	WY3042	WY3043
Patient deck without heating		□	□	-	-
Under-pad heating with gel pad		-	-	□	□
Soft-lift height-adjustment, height of patient deck 850-1150 mm		-	□	-	□
Swivelling radiant warmer CERAMOTHERM® 3200		□	□	□	□

## Wall assembly (Compulsory order of WY3021 or WY3022)

Wall assembly 170 mm high, fold-down, 2 safety side walls	WY3022	▲	▲	▲	▲
Wall assembly 250 mm high, fold-down, 2 safety side walls	WY3021	▲	▲	▲	▲
Canopy one-piece for wall assembly 250 mm high (WY3021)	WY3024	●	●	●	●
Canopy two-piece for wall assembly 250 mm high (WY3021)	WY3025	●	●	●	●

## Additional equipment

WY3035	Shelf fixed at the pillar, max. 4 shelves per device
WY3036	Arch-shaped drawer sliding out to both sides, fixed at shelf WY3035, max. 2 drawers per device
WY3032	Additional pair of foot pedals for height adjustment
WY1050	Upgrade for patient-temperature measurement and control, integrated in radiant warmer
WY3037	Compartment for drawer WY3036
WY3038	Clip-on tray fixed at side walls or instrument rail 25 x 10 mm
WY3060	Shelf 590 x 320 mm, fixed at tube Ø 40 mm, with instrument rail 25 x 10 mm and fixture for the canopy
WY3065	High grade steel instrument rail 25 x 10 mm, straight, fixed at tube Ø 40 mm, EN ISO 19054
WY3066	Instrument rail 25 x 10 mm, cranked, fixed at tube Ø 40 mm, EN ISO 19054
WY3067	Compact rail block 25 x 10 mm, circular, fixed at tube 40 mm, EN ISO 19054
WY2075	Infusion pole height-adjustable, with fixing clamp for tube Ø 40 mm
WY2069	Infusion pole threefold, with fixing clamp for tube Ø 40 mm
WY3075	Holder for respiration tubes and cables, fixed in the corner of the bed
WY1858	Power cord to connect additional devices to take-off sockets, 1.5 m length

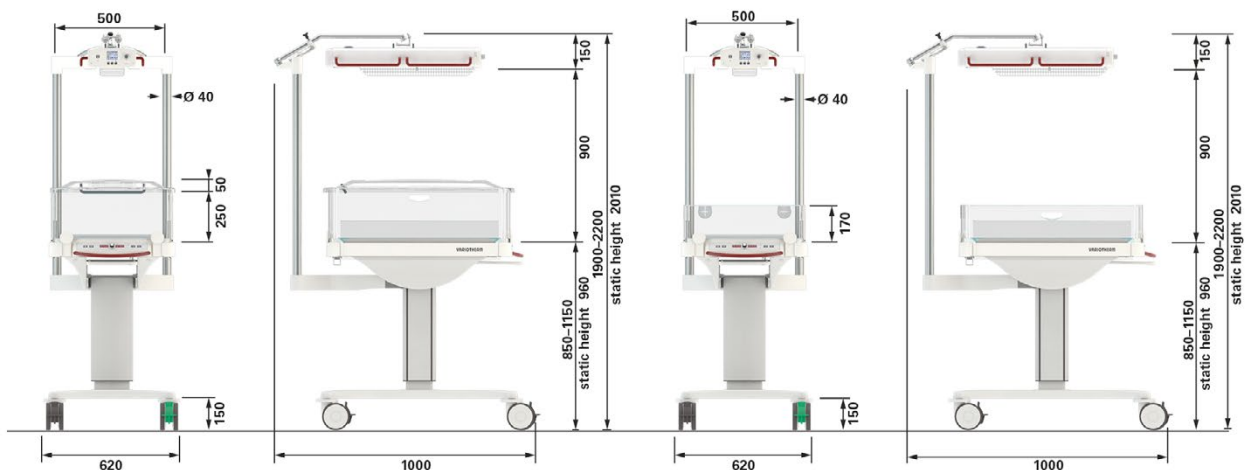
Various further accessories available

## Gas supply / Suction / Insufflation

WY2456	Holder for gas cylinder Ø 82-110 mm, max. 2 pieces per device
WY1608	Oxygen cylinder Ø 100 mm, EN1089, 3 l-200 bar, volume 600 l
WY1609	Air cylinder Ø 100 mm, EN1089, 3 l-200 bar, volume 600 l
WY1612	Oxygen pressure regulator G 3/4" a, plug-in coupling DIN 13260-2
WY1616	Air pressure regulator R G 5/8" i, plug-in coupling DIN 13260-2
WY1475	O2 change-over valve, 2 inputs with NIST fitting, output with tube ISO 32 and NIST fitting, fixed at rail 25 x 10 mm
WY1476	Air change-over valve, 2 inputs with NITS fitting, output with tube ISO 32 and NIST fitting, fixed at rail 25 x 10 mm
WY1411	Oxygen connection hose ISO 32, NIST fitting, 3 m length, pipeline plug DIN 13260
WY1438	Air connection hose ISO 32, NIST fitting, 3 m length, pipeline plug DIN 13260
WY1421	O2-Distributor, input NIST fitting, 3 take-off sockets DIN 13260, fixed at instrument rail 25 x 10 mm
WY1425	Air-Distributor, input NIST fitting, with 3 take-off sockets DIN 13260, fixed at instrument rail 25 x 10 mm
WY1620	Suction unit for compressed air operation with clamp for instrument rail 25 x 10 mm, NIST fitting, suction bottle 250 ml
WY1604	O2-Flow meter 0-15 l/m, NIST fitting, clamp for instrument rail 25 x 10 mm
WY1480 WY1481	REANIMAT® O2-Blend, gas supply for O2 and Air NIST fitting, oxygen concentration adjustable 21 to 100 %, flow adjustable 0-6 l/min (WY1480), or 0-15 l/min (WY1481)
WY1490	Suction unit for Reanimat® O2-Blend insufflation device

# TECHNICAL DATA

	<b>Order No.</b>	<b>VARIO THERM® C</b> with radiant warmer, static height	<b>VARIO THERM® C</b> with radiant warmer, height-adjustable	<b>VARIO THERM® KCE</b> with radiant warmer and under-pad heating, static height	<b>VARIO THERM® KCE</b> with radiant warmer and under-pad heating, height-adjustable
		<b>WY3040</b>	<b>WY3041</b>	<b>WY3042</b>	<b>WY3043</b>
<b>Electrical parameters</b>	Under-pad heating	-	-	180 W	180 W
	Soft-lift pillar	-	120 W	-	120 W
	Radiant warmer CERAMOTHERM® 3200	900 W			
	Take-off sockets for additional devices	4	4	3	3
	Max. power input (with max. power to sockets)	2300 W			
	Voltage	230 V / 50 – 60 Hz			
<b>Operating parameters</b>	Head-up and head-down position adjustable to	±12°			
	Pad	PU foam		Poly gel	
	Selection range of under-pad heating	-		Standard 35.0-37.0°C Extended 30.0-38.5°C	
	Illumination	2 x 1250 lm, dimmable			
	Colour temperature of the light	4000 K			
	Heating element of radiant warmer / wave length	2 ceramic / 1.5 - 6 µm			
	Selection of radiation intensity	2-22 mW/cm²			
	Function "automatic intensity reduction"	Yes			
Display of selected, actual value and residual heat	Yes				
<b>Dimensions and weight</b>	Weight	70 kg	76 kg	77 kg	83 kg
	Dimension of patient deck	480 x 740 mm			
	Height of patient deck	960 mm	850-1150 mm	960 mm	850-1150 mm
	Diameter of tube assembly	40 mm			
Classification according to Directive 93/42/EEC	IIa		IIb		



**ANANDIC MEDICAL SYSTEMS AG**  
 Stadtweg 24, 8245 Feuerthalen

Tel. 0848 800 900  
 info@anandic.com

