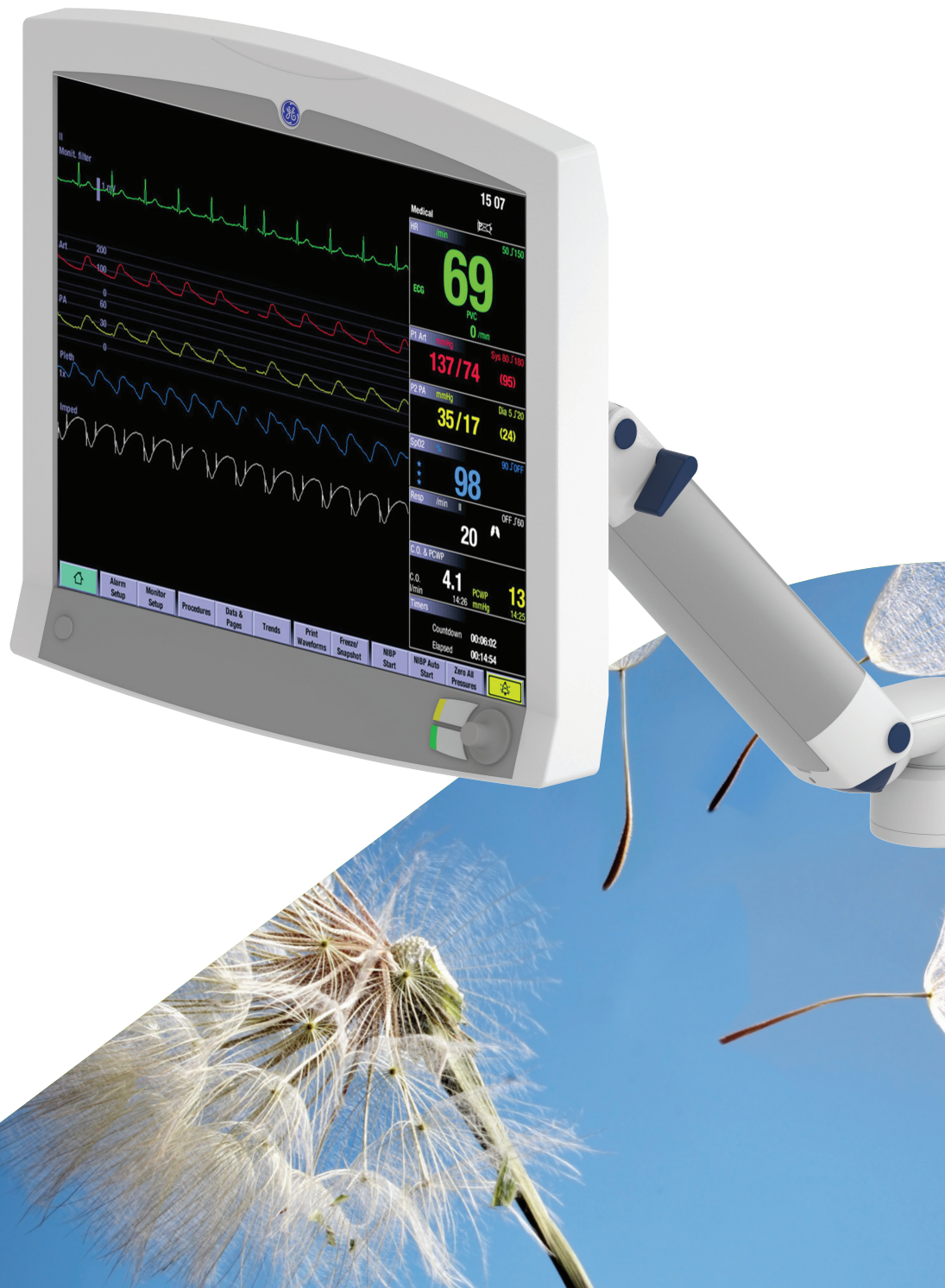




MOUNTING REFERENCE GUIDE

GE Monitoring

CIM Cable Integrated Mounting System



Content

General notes	3
How to create part numbers	4
Product highlights	6
Solutions for CARESCAPE B850	7
Flush mount	8
Height adjustable arm	10
Counter top	12
B850 Cart light duty I	14
B850 Cart light duty II	16
Mounting solution for Giraffe OmniBed Carestation	18
CARESCAPE B850 CPU bracket	20
L-Bracket for F5 FRAME / Tram-Rac	21
Solutions for CARESCAPE ONE	22
Flush mount	23
Support arm pivot	25
Extended pivot arm light duty	27
Height adjustable arm	29
Extended height adjustable arm	31
Counter top	33
Cart light duty	35
Down post	37
Solutions for PROCARE B20 / B40 and CARESCAPE B105 / B125 / B450 / B650	38
Mounting adapter	39
Fixings	40
Fixings for anaesthesia machines	41

General notes

Monitor Adaptations

The various GE monitors require different monitor presentations:

Carescape B850 requires a VESA 75/ 100 adaptation.

For **Proscape B20/ B40** and **Carescape B105/ B125/ B450 / B650** all mounting solutions with 5" plunge plate are suitable.

Please refer to the mounting reference guide for 5" plunge plate solutions.

Carescape One, **sensor holder** and **docking station** require a Carescape one specific mounting adapter.

Components' grounding

All arms with integrated cable management are equipped with **component grounding**. No grounding is required for arms with external or semi-integrated cable management with cables not being led through joints.

Load capacity

All **height adjustable arms** have a load capacity of 22 kg / 48.5 lbs. Rear mounted monitor adaptations and horizontally mounted 5" plunge plates accept a maximum monitor

weight of 18 kg / 39.7 lbs. An additional 4 kg / 8.8 lbs may be mounted on a down post underneath the front swivel part. Depending on material and tensile factor all weight indications have a 4-fold and/ or 6-fold safety factor according to IEC 60601-1 standards.

Custom-designed solutions and MRI applications

Please contact us for **custom-designed** solutions.

Product marking

All CIM products are CE marked. As **medical product risk class 1** they are conform with the regulations (EU) 2017/745 (MDR) and IEC 60601-1, 3rd Edition. The current standard IEC 60601-1 for electrical and mechanical safety is the 3rd Edition. Other standards of the IEC 60601 series are not applicable to our products, regardless of their version.



How to create part numbers

Part numbers can be easily created by following the steps below:

Please replace the letters in **green** with the part no. code as per your requirements.

1. Components' grounding:

S	=	not grounded
A	=	grounded

2. Choose the arm version required:

GE-910QG	=	flush mount
431G	=	height adjustable arm
910GE	=	flush mount
224GE / 230GE	=	support arm pivot
33030GE	=	extended pivot arm light duty
431GE	=	height adjustable arm
73130GE	=	extended height adjustable arm

3. Specify where you want to mount the arm and select the fixing (Y):

1V	=	pole ø 23 - 40 mm / 0.9 - 1.6"
1	=	pole ø 25 mm / 1.0"
1B	=	pole ø 30 mm / 1.2"
1F	=	pole ø 35 mm / 1.4"
1C	=	pole ø 38 mm / 1.5"
2F	=	horizontal rails 10 x 25, 8 x 35, 10 x 30, 10 x 50 mm
3	=	vertical rail 10 x 25 mm
3DR	=	dual vertical rails, distance 150 mm/ 5.9"
3TX	=	dual vertical rails, distance 225 mm/ 8.9"
4V	=	vertical wall channel
4U	=	vertical wall channel for arms with high mounting position
13	=	Mindray medical supply units
17	=	Amico pendants & headwalls
9	=	Löwenstein Medical anaesthesia machine
4K	=	anaesthesia machine with existing channel

How to create part numbers

4. Choose the colour requested for decorative parts (C):

gr = RAL 7024 (graphite grey)
 bl = RAL 5013 (cobalt blue)

5. Choose the colour requested for the aluminium die-cast parts (D):

1 = RAL 9016 (traffic white)
 2 = RAL 9002 (grey white)

6. Specify the spring depending on the weight of your monitor/ device - only with height adjustable arms (X):

60 = 2 - 5 kg / 4.4 - 11 lbs
 95 = 4 - 9 kg / 8.8 - 19.8 lbs
 130 = 7.5 - 13 kg / 16.5 - 28.7 lbs
 175 = 13 - 16 kg / 28.7 - 35.3 lbs
 220 = 16 - 22 kg / 35.3 - 48.5 lbs

Example

01 Grounding		02 Arm version		03 Fixing		04 & 05 Colour		06 Spring tension
A	-	431G	-	Y	.	CD	-	X
A	-	431G	-	4V	.	gr1	-	95

Product highlights

Non-height adjustable arm

Pivot and extended pivot arms offer **full cable integration** and easy cleaning for **infection control** in all critical care areas in the clinical environment. Our **5-years warranty** guarantees reliable, trouble-free and maintenance-free operation. The swivel function at the fixing point as well as the **tilt/ swivel function** of the monitor adaptation offers optimum positioning of your device. The extended pivot arm is a two-part arm with central pivot point between the two arm sections. All bottom-mounted monitors have the safety feature of a **20° tilt stop**.

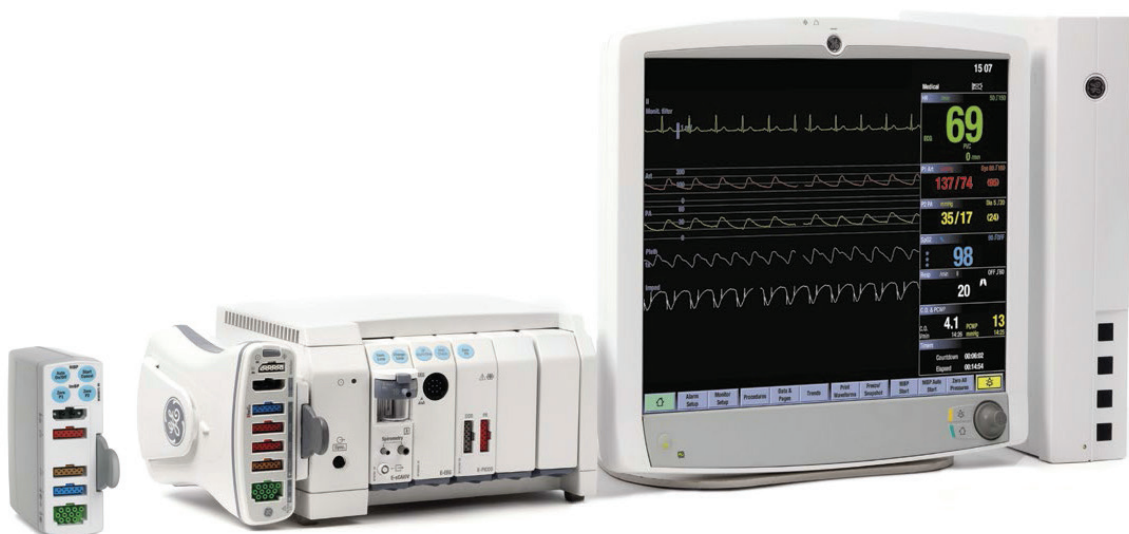
Height adjustable arm

The height adjustable arm offers **full cable integration**, one-wipe clean surfaces and our **5-year warranty** on the entirety of the product. Vertically and horizontally adjustable, the arm offers optimal positioning of your device. A constant viewing angle when vertically adjusted is guaranteed by a parallel linkage. **Weight-optimized springs counter-balance** the monitor without making any adjustments. All bottom-mounted monitors have the safety feature of a **20° tilt stop**. Individual rotational stops may be integrated in any joint.

To provide the perfect combination of arm and monitor, the CIM articulated height adjustable arm has a simple quarter-turn lock to hold the arm safely in position when removing the monitor. Furthermore the arm is equipped with the unique safety feature of a slow-release gas spring. Should anybody try to remove the monitor before locking the arm in position, the arm will only rise at a slow and even tempo.

SAFETY

Solutions for CARESCAPE B850



Flush mount



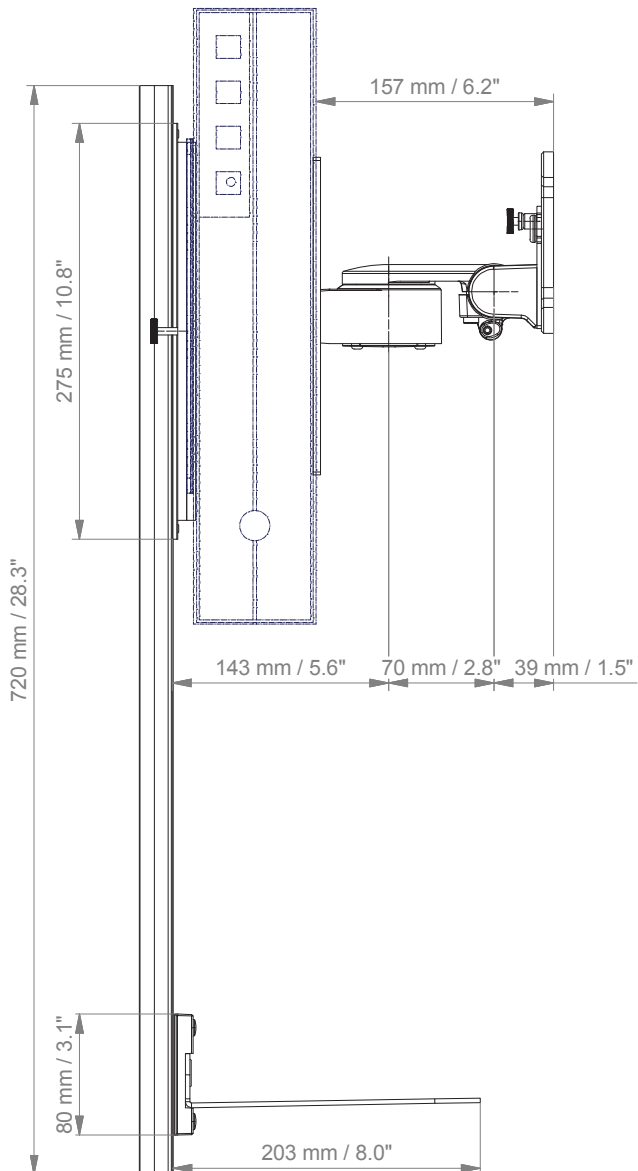
Monitor adaption	VESA 75/100, quick release
Colours to choose	Decorative parts RAL 5013 cobalt blue / RAL 7024 graphite grey Aluminum parts RAL 9016 traffic white / RAL 9002 grey white
Part number	GE-910QG.CD Flush mount with adapter plate to stack-mount on CPU GE-C7-4Z CARESCAPE B850 CPU bracket with adapter vertical wall channel GE-MB-4.1 L-bracket for F5 FRAME with adapter vertical wall channel Z-WK.w_720 Wall channel L 720 mm / 28.3" (wall channel cover and end caps included)

For alternative fixings to mount the assembly to poles or rails please see pages 20 and 21.

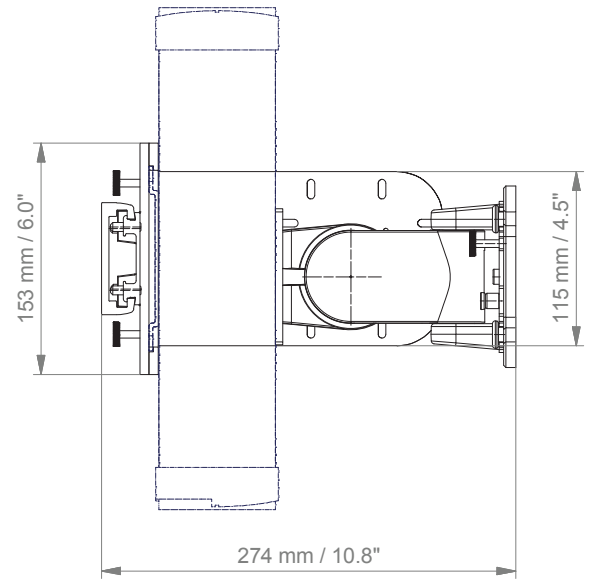
Flush mount

Technical data

SIDE VIEW



TOP VIEW



Height adjustable arm



Monitor adaption VESA 75/100

Colours to choose
 Decorative parts RAL 5013 cobalt blue / RAL 7024 graphite grey
 Aluminum parts RAL 9016 traffic white / RAL 9002 grey white

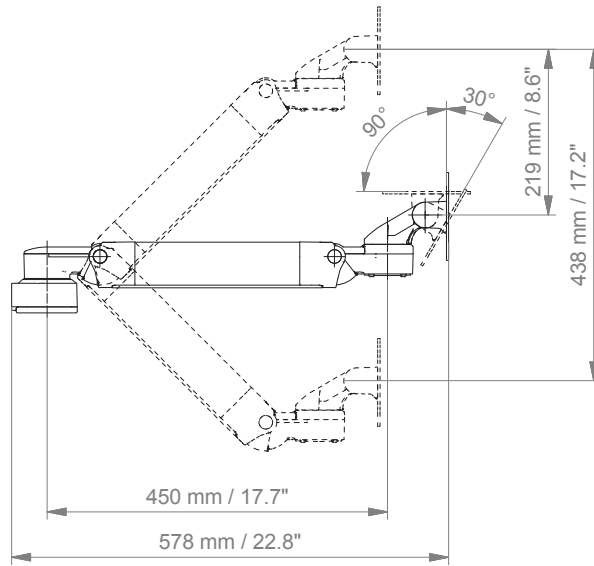
Part number
 A-431G-4V.CD_130 Height adjustable arm
 GE-C7-4Z CARESCAPE B850 CPU plate with adapter vertical wall channel
 GE-MB-DPR-71.1_150 L-bracket for F5 FRAME with rotatable down post, L 150 mm / 5.9"
 Z-WK.w_720 Wall channel L 720 mm / 28.3" (wall channel cover and end caps included)

For alternative fixings to mount the assembly to poles or rails please see pages 20 and 21.

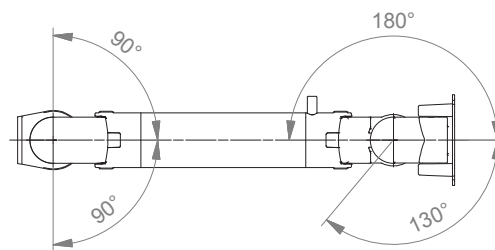
Height adjustable arm

Technical data

SIDE VIEW



TOP VIEW



Counter top

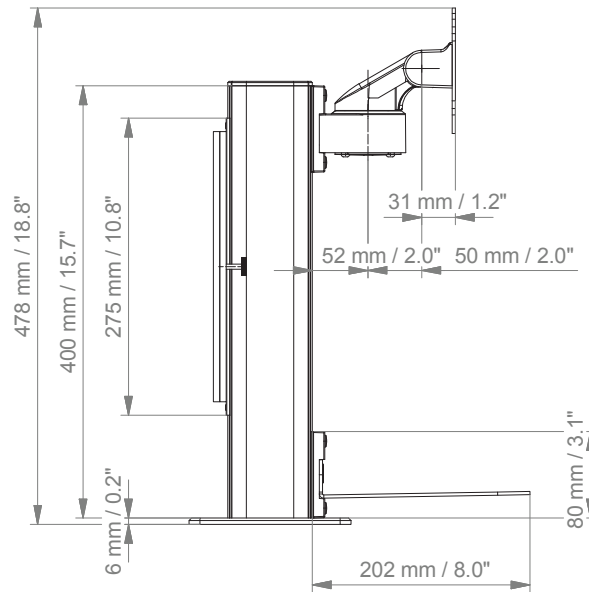


Monitor adaption	VESA 75/100	
Colours to choose	Decorative parts	RAL 5013 cobalt blue / RAL 7024 graphite grey
	Aluminum parts	RAL 9016 traffic white / RAL 9002 grey white
Max. load capacity support arm	18 kg / 39.7 lbs	
Max. load monitor adaptation	18 kg / 39.7 lbs	
Part number	GE-B850-G-60. CD	
	Consisting of:	
	Flush mount with adapter vertical wall channel	S-908G-4. CD
	CARESCAPE B850 CPU bracket with adapter vertical wall channel	GE-C7-4Z
	L-bracket for F5 FRAME with adapter vertical wall channel	GE-MB-4.C
	Column with cover L 400 mm/ 15.8"	
	Base plate	

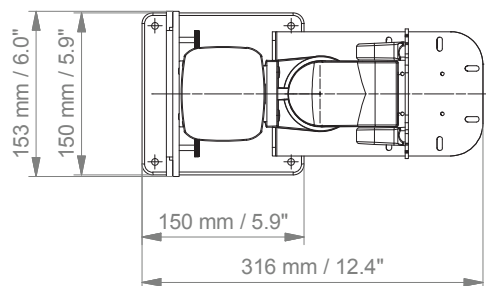
Counter top

Technical data

SIDE VIEW



TOP VIEW



B850 Cart light duty I



Monitor adaption

CL-bracket, VESA 75/100 with tilt function

Accessories

5-star base aluminum base with counter weight
 Double wheel castors, ø 100 mm / 3.9", 2 lockable
 Column to accept components and accessories on opposite sides

Colours

Decorative parts RAL 5013 cobalt blue
 Base RAL 9016 traffic white
 Handle RAL 5013 cobalt blue

Max. load capacity

10 kg / 22 lbs

Kit number

GE-002B850.b11

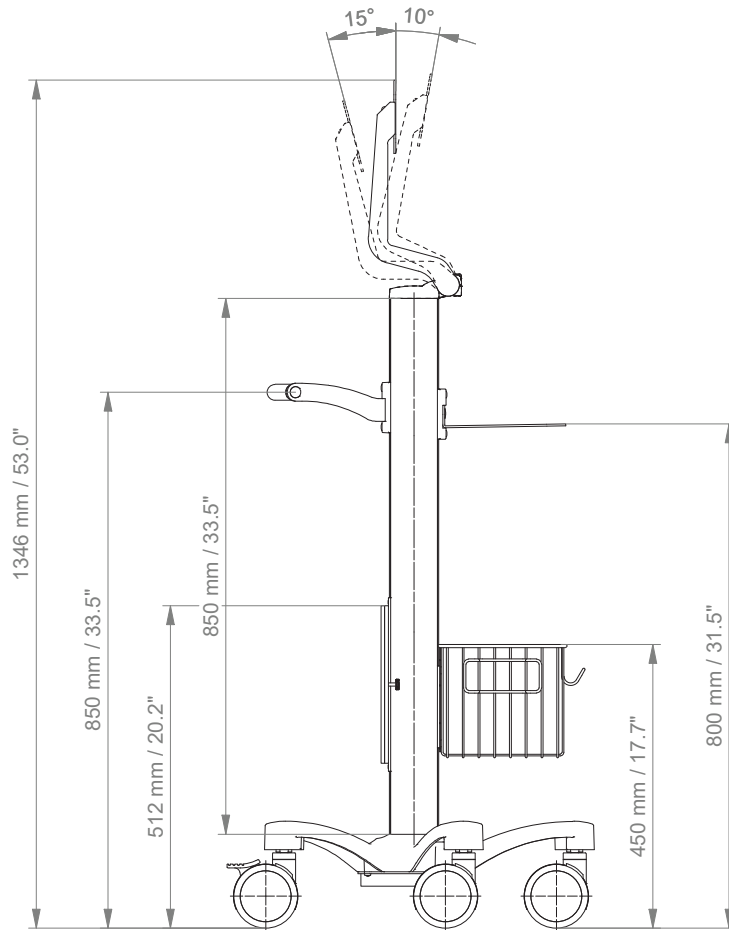
Part numbers

Consisting of the following parts:
 R-002K.b11 cart light duty
 Z-HD-4.b11 handle for carts
 Z-51-4Z basket big 300 x 200 x 180 mm / 11.8 x 7.9 x 7.1"
 GE-MB-4.1 fixing bracket Frame F5
 GE-C7-4Z CPU support plate

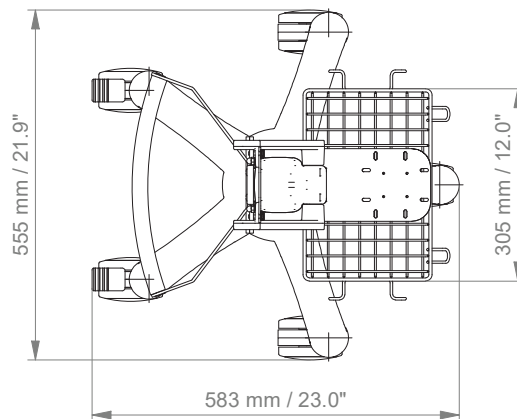
B850 Cart light duty I

Technical data

SIDE VIEW



TOP VIEW



B850 Cart light duty II



Monitor adaption

CL-bracket, VESA 75/100 with tilt function

Accessories

5-star base aluminum base with counter weight
 Double wheel castors, \varnothing 100 mm / 3.9", 2 lockable
 Column to accept components and accessories on opposite sides

Colours

Decorative parts RAL 5013 cobalt blue
 Base RAL 9016 traffic white
 Handle RAL 5013 cobalt blue

Max. load capacity

10 kg / 22 lbs

Kit number

GE-002B850-02.b11

Part numbers

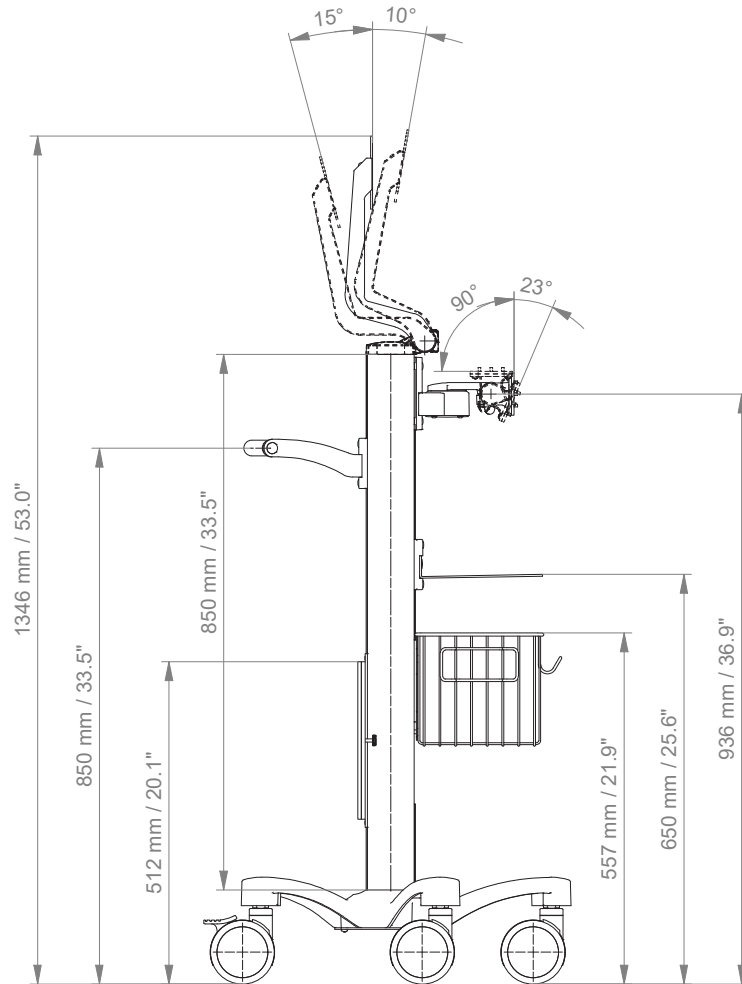
Consisting of the following parts:

R-002K.b11	cart light duty
S-910GE-4V.b11	flush mount with GE Carescape ONE monitor adaption
Z-HD-4.b11	handle for carts
Z-51-4Z	basket big 300 x 200 x 180 mm / 11.8 x 7.9 x 7.1"
GE-MB-4.1	fixing bracket Frame F5
GE-C7-4Z	CPU support plate

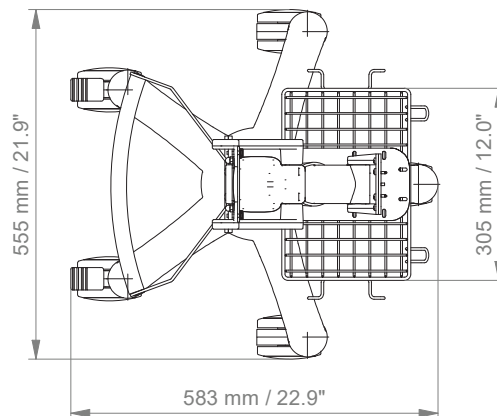
B850 Cart light duty II

Technical data

SIDE VIEW



TOP VIEW



Mounting solution for Giraffe OmniBed Carestation



Illustration shown with FS holder

Monitor adaption

VESA 75/100, quick release

Colours to choose

Decorative parts RAL 5013 cobalt blue / RAL 7024 graphite grey
 Aluminum parts RAL 9016 traffic white / RAL 9002 grey white

Part number

With F5 holder

GE-GI-B850-01.**CD**

Consisting of:
 CPU holder with cable hook
 Bracket and column with top plate
 Pivot arm for B850
 Pivot arm for F5 and PDM

Without F5 holder

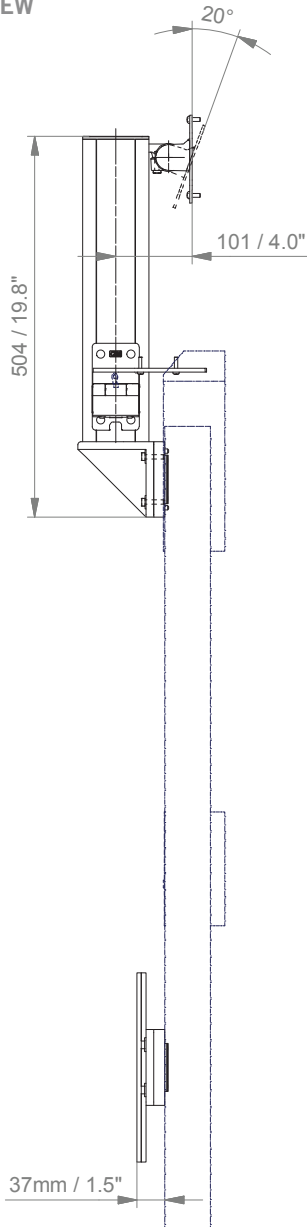
GE-GI-B850-02.**CD**

Consisting of:
 CPU holder with cable hook
 Bracket and column with top plate
 Pivot arm for B850
 PDM holder for rail

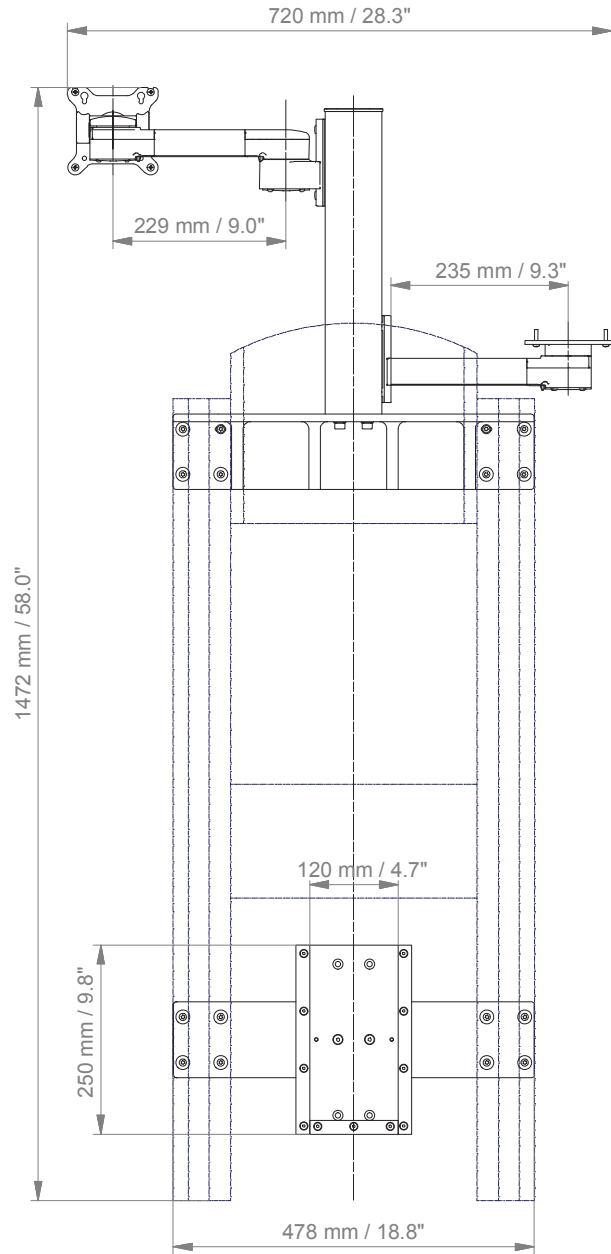
Mounting solution for Giraffe OmniBed Carestation

Technical data - with FS holder

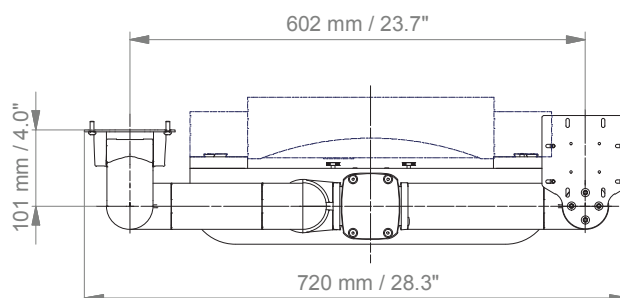
SIDE VIEW




FRONT VIEW



TOP VIEW



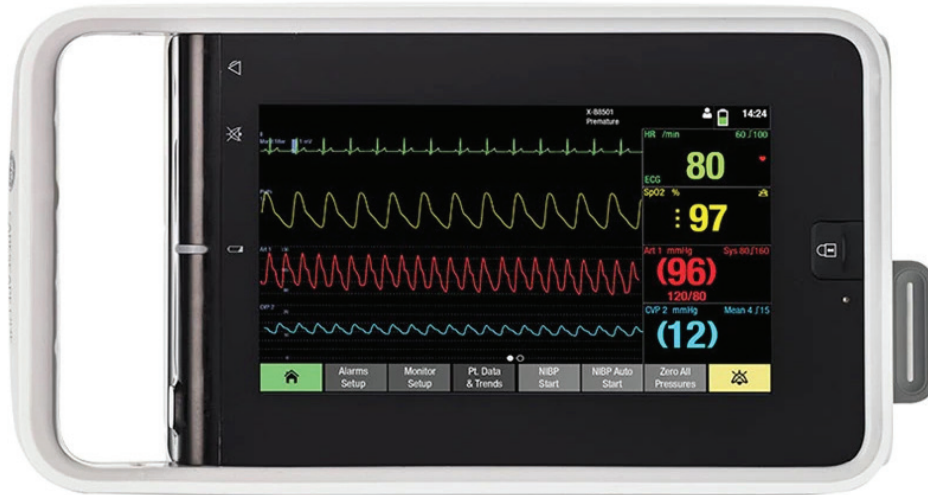
CARESCAPE B850 CPU bracket

Illustration	Description	Part no.
	<p>CARESCAPE B850 CPU bracket Fixing: fixed pole clamp to mount to pole \varnothing 38 mm/ 1.5"</p>	<p>GE-C7-1C</p>
	<p>CARESCAPE B850 CPU bracket Fixing: adapter for vertical wall channel</p>	<p>GE-C7-4Z</p>
	<p>CARESCAPE B850 CPU bracket Fixing: universal rail clamp to mount to horizontal European rails 10 x 25, 8 x 35, 10 x 30, 10 x 50 mm</p>	<p>GE-C7-6H</p>

L-Bracket for F5 FRAME / Tram-Rac

Illustration	Description	Part no.
	<p>L-Bracket for F5 FRAME / Tram-Rac Without fixing</p>	<p>GE-MB-0.1</p>
	<p>L-Bracket for F5 FRAME / Tram-Rac Fixing: fixed pole clamp to mount to pole \varnothing 38 mm / 1.5"</p>	<p>GE-MB-1C.1</p>
	<p>L-Bracket for F5 FRAME / Tram-Rac Fixing: adapter for vertical wall channel H 80 mm / 3.2"</p>	<p>GE-MB-4.1</p>
	<p>L-Bracket for F5 FRAME / Tram-Rac Fixing: universal rail clamp to mount to horizontal European rails 10 x 25, 8 x 35, 10 x 30, 10 x 50 mm</p>	<p>GE-MB-6L.1</p>

Solutions for CARESCAPE ONE



Flush mount



Monitor adaption

GE Carescape ONE

Colours to choose

Decorative parts RAL 5013 cobalt blue / RAL 7024 graphite grey
 Aluminum parts RAL 9016 traffic white / RAL 9002 grey white

Max. load capacity support arm

18 kg / 39.7 lbs

Max. load monitor adaptation

18 kg / 39.7 lbs

Product weight

0.8 kg / 1.8 lbs

Part number

S-910GE-Y.CD

Fixings

Y | details page 40



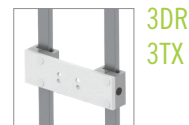
Adapter for vertical wall channel



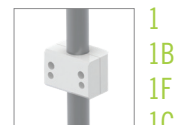
Fixed rail clamp



Vertical rail clamp



Dual vertical rail clamp



Fixed / universal pole clamp



Adapter for Mindray medical supply units

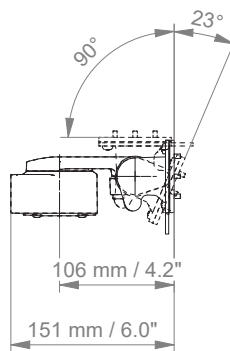


Adapter for Amico pendants & headwalls

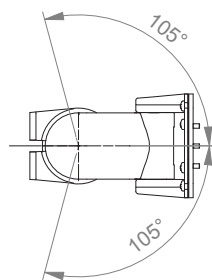
Flush mount

Technical data

SIDE VIEW



TOP VIEW



Support arm pivot



Monitor adaption

GE Carescape ONE

Colours to choose

Decorative parts RAL 5013 cobalt blue / RAL 7024 graphite grey
 Aluminum parts RAL 9016 traffic white / RAL 9002 grey white

Max. load capacity support arm

18 kg / 39.7 lbs

Max. load monitor adaptation

18 kg / 39.7 lbs

Product weight

arm type 240 arm type 300
 1.6 kg / 3.5 lbs 1.7 kg / 3.7 lbs

Part number

arm type 240 arm type 300
 A-224GE-Y.CD A-230GE-Y.CD

Fixings

Y | details page 40 and 41



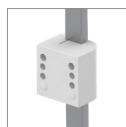
4V

Adapter for vertical wall channel



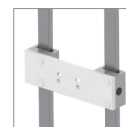
2F

Fixed rail clamp



3

Vertical rail clamp



3DR
3TX

Dual vertical rail clamp



1
1B
1F
1C
1V

Fixed / universal pole clamp



13

Adapter for Mindray medical supply units



17

Adapter for Amico pendants & headwalls



9

Adapter for Löwenstein Medical anaesthesia machines



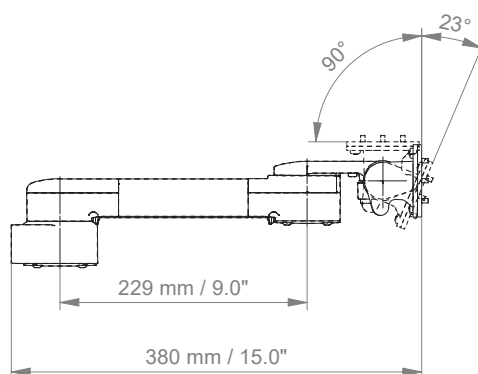
4K

Adapter for anaesthesia machines with existing side channel

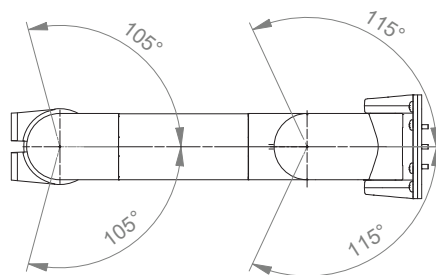
Support arm pivot

Technical data - arm type 300

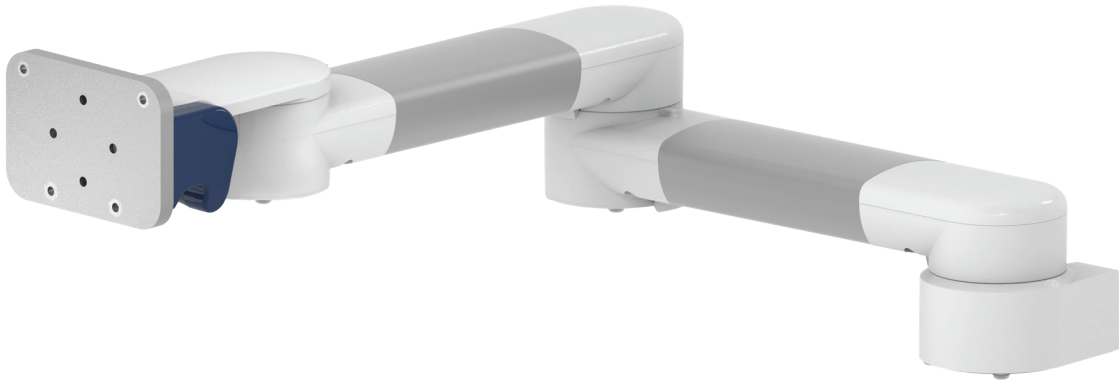
SIDE VIEW



TOP VIEW



Extended pivot arm light duty



Monitor adaption

GE Carescape ONE

Colours to choose

Decorative parts RAL 5013 cobalt blue / RAL 7024 graphite grey
 Aluminum parts RAL 9016 traffic white / RAL 9002 grey white

Max. load capacity support arm

8 kg / 17.6 lbs

Max. load monitor adaptation

8 kg / 17.6 lbs

Product weight

2.7 kg / 6.0 lbs

Part number

A-33030GE-Y.CD

Fixings

Y | details page 40 and 41



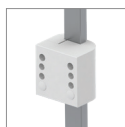
4V

Adapter for vertical wall channel



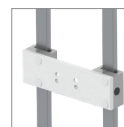
2F

Fixed rail clamp



3

Vertical rail clamp



3DR
3TX

Dual vertical rail clamp



1
1B
1F
1C
1V

Fixed / universal pole clamp



13

Adapter for Mindray medical supply units



17

Adapter for Amico pendants & headwalls



9

Adapter for Löwenstein Medical anaesthesia machines



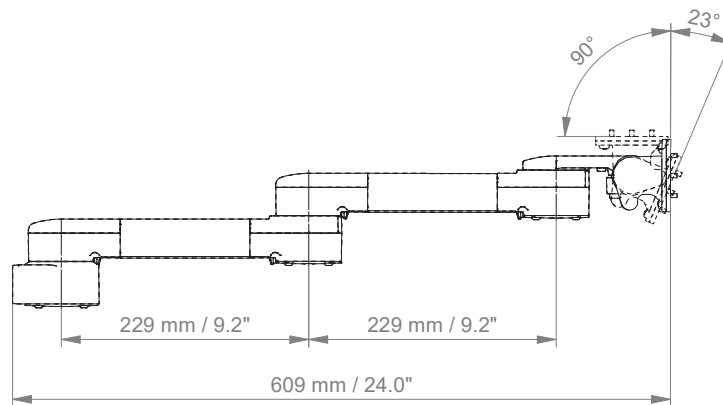
4K

Adapter for anaesthesia machines with existing side channel

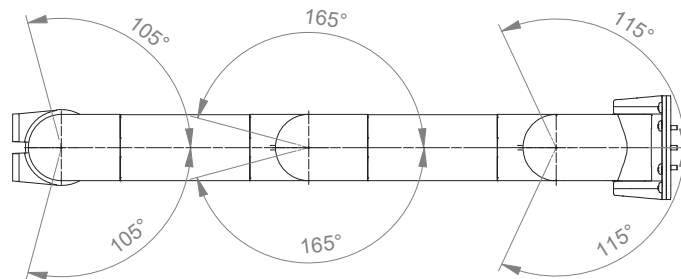
Extended pivot arm light duty

Technical data

SIDE VIEW



TOP VIEW



Height adjustable arm



Monitor adaption	GE Carescape ONE
Height adjustment	Slow-flowing spring, parallel linkage for a constant viewing angle
Colours to choose	Decorative parts RAL 5013 cobalt blue / RAL 7024 graphite grey Aluminum parts RAL 9016 traffic white / RAL 9002 grey white
Max. load capacity support arm	22 kg / 48.5 lbs
Max. load monitor adaptation	18 kg / 39.7 lbs
Product weight	3.7 kg / 8.2 lbs
Balancing range	600 N (2-5 kg / 4.4-11 lbs); 950 N (4-9 kg / 8.8-19.8 lbs); 1300 N (7.5-13 kg / 16.5-28.7 lbs); 1750 N (13-16 kg / 28.7-35.3 lbs); 2200 N (16-22 kg / 35.3-48.5 lbs)
Part number	A-431GE-Y.CD_X

Fixings

Y | details page 40 and 41



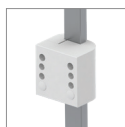
4V

Adapter for vertical wall channel



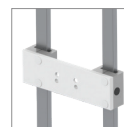
2F

Fixed rail clamp



3

Vertical rail clamp



3DR
3TX

Dual vertical rail clamp



1
1B
1F
1C
1V

Fixed / universal pole clamp



13

Adapter for Mindray medical supply units



17

Adapter for Amico pendants & headwalls



9

Adapter for Löwenstein Medical anaesthesia machines



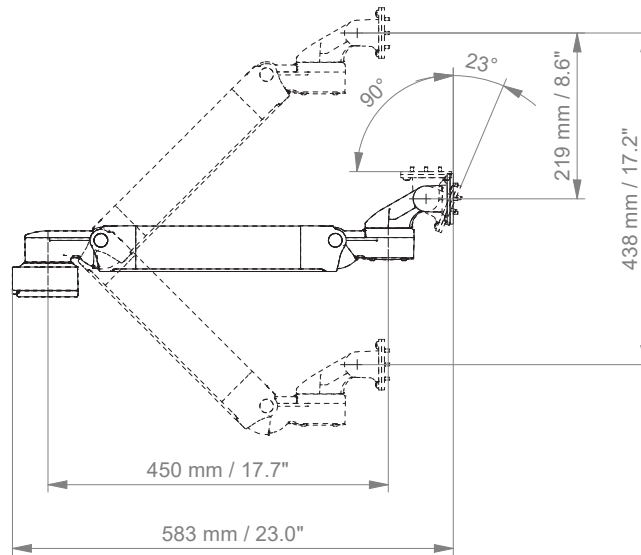
4K

Adapter for anaesthesia machines with existing side channel

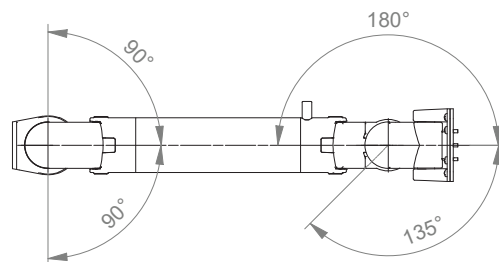
Height adjustable arm

Technical data

SIDE VIEW



TOP VIEW



Extended height adjustable arm



Monitor adaption	GE Carescape ONE
Height adjustment	Slow-flowing spring, parallel linkage for a constant viewing angle
Colours to choose	Decorative parts RAL 5013 cobalt blue / RAL 7024 graphite grey Aluminum parts RAL 9016 traffic white / RAL 9002 grey white
Max. load capacity support arm	22 kg / 48.5 lbs
Max. load monitor adaptation	18 kg / 39.7 lbs
Product weight	4.8 kg / 10.6 lbs
Balancing range	600 N (2-5 kg / 4.4-11 lbs); 950 N (4-9 kg / 8.8-19.8 lbs); 1300 N (7.5-13 kg / 16.5-28.7 lbs); 1750 N (13-16 kg / 28.7-35.3 lbs); 2200 N (16-22 kg / 35.3-48.5 lbs)
Part number	A-73130GE-Y.CD_X

Fixings

Y | details page 40 and 41



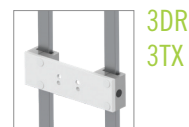
4V
Adapter for vertical wall channel



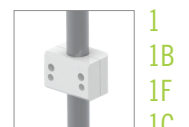
2F
Fixed rail clamp



3
Vertical rail clamp



3DR
3TX
Dual vertical rail clamp



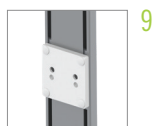
1
1B
1F
1C
1V
Fixed / universal pole clamp



13
Adapter for Mindray medical supply units



17
Adapter for Amico pendants & headwalls



9
Adapter for Löwenstein Medical anaesthesia machines

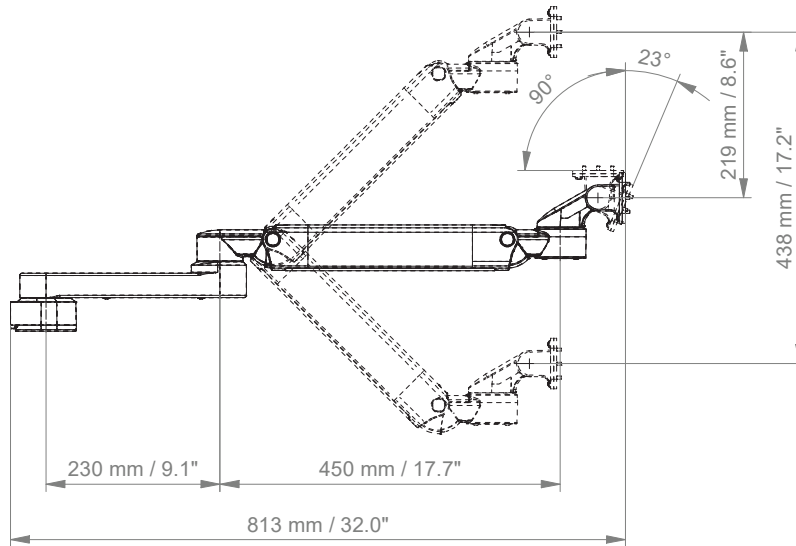


4K
Adapter for anaesthesia machines with existing side channel

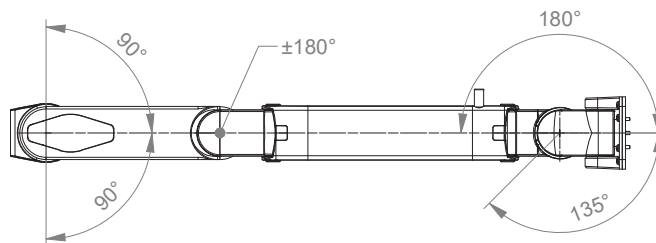
Extended height adjustable arm

Technical data

SIDE VIEW



TOP VIEW



Counter top



Monitor adaption

GE Carescape ONE

Colours to choose

Decorative parts RAL 5013 cobalt blue / RAL 7024 graphite grey
 Aluminum parts RAL 9016 traffic white / RAL 9002 grey white

Max. load monitor adaptation

18 kg / 39.7 lbs

Part number

Counter top with base plate to mount to desk or even surfaces

T-HGE-60.CD_220 height 220 mm / 8.7"

Counter top free-standing (see illustration)

T-HGE-62.CD_220 height 220 mm / 8.7"

Counter top without base plate

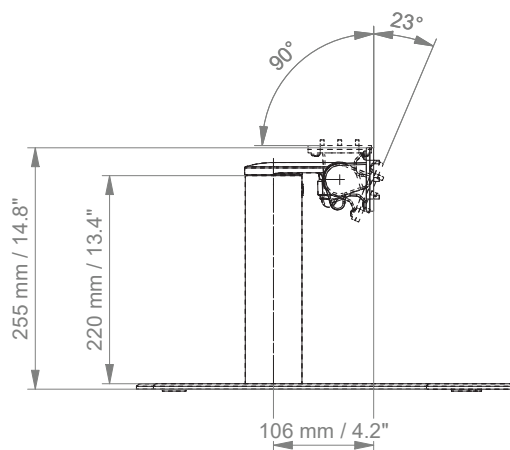
T-HGE-69.CD_220 height 220 mm / 8.7"

! All free-standing counter tops have to be tip-tested for stability depending on the weight of the monitor!

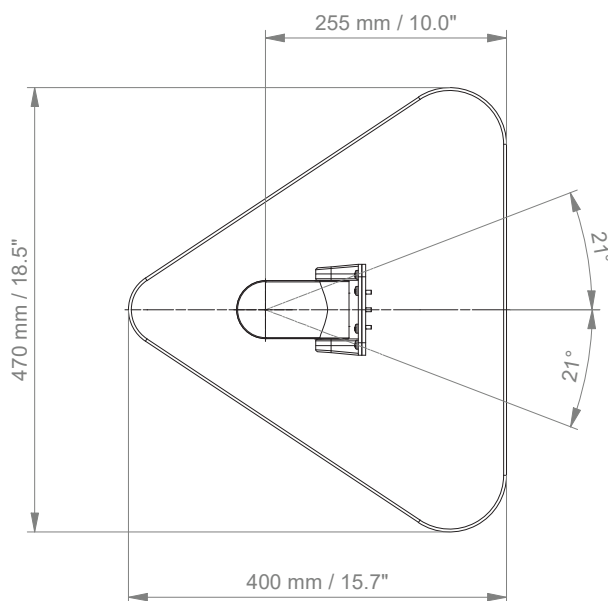
Counter top

Technical data - free standing

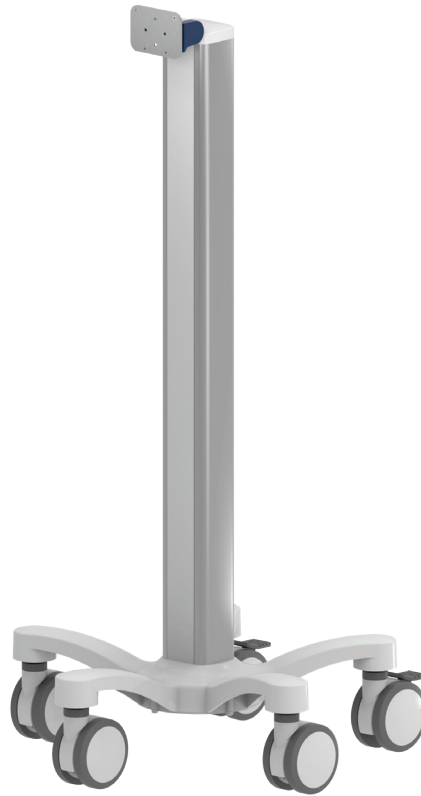
SIDE VIEW



TOP VIEW



Cart light duty

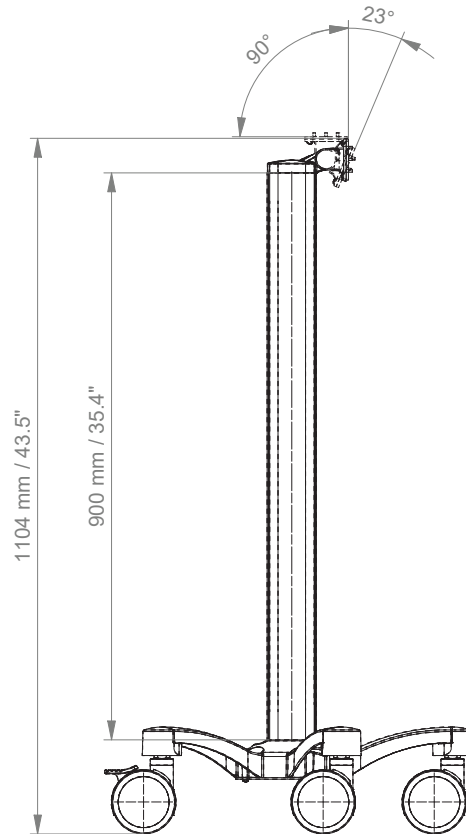


Monitor adaption	GE Carescape ONE								
Accessories	5-star base aluminum base with counter weight double wheel castors, ø 100 mm / 3.9", 2 lockable column to accept components and accessories on opposite sides								
Colours to choose	Decorative parts RAL 5013 cobalt blue / RAL 7024 graphite grey Base RAL 9016 traffic white / RAL 5013 cobalt blue Handle RAL 9016 traffic white / RAL 5013 cobalt blue / RAL 7024 graphite grey								
Max. load capacity	14 kg / 30.9 lbs								
Optional accessories	Basket big 300 x 200 x 180 mm / 11.8 x 7.9 x 7.1" Basket small 200 x 150 x 100 mm / 7.9 x 5.9 x 3.9" Handle								
Part number	<table border="0"> <tr> <td>Cart</td> <td>R-002GE.CD</td> </tr> <tr> <td>Basket big</td> <td>Z-51-4Z</td> </tr> <tr> <td>Basket small</td> <td>Z-52-4Z</td> </tr> <tr> <td>Handle</td> <td>Z-HD-4.C1</td> </tr> </table>	Cart	R-002GE.CD	Basket big	Z-51-4Z	Basket small	Z-52-4Z	Handle	Z-HD-4.C1
Cart	R-002GE.CD								
Basket big	Z-51-4Z								
Basket small	Z-52-4Z								
Handle	Z-HD-4.C1								

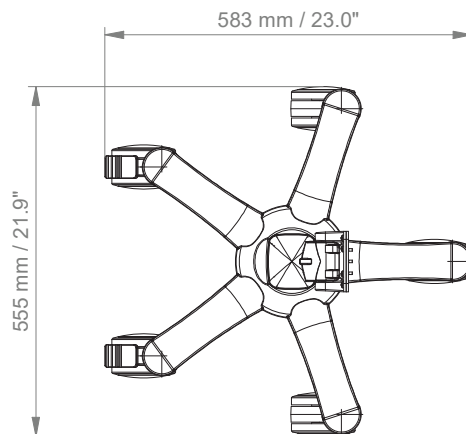
Cart light duty

Technical data

SIDE VIEW



TOP VIEW



Down post

Illustration	Description	Notes	Part no.
	Down post, rotatable with cable hook and GE clamp	For non-height adjustable arms: L 300 mm / 11.8", max. load 10 kg / 22 lbs	Z-DPR-GE-70.CD_300
		For height adjustable arms: L 300 mm / 11.8", max. load 10 kg / 22 lbs	Z-DPR-GE-71.CD_300

Colours to choose

Decorative parts (C)

- gr = RAL 7024 (graphite grey)
- bl = RAL 5013 (cobalt blue)

Aluminium parts (D)

- 1 = RAL 9016 (traffic white)
- 2 = RAL 9002 (grey white)



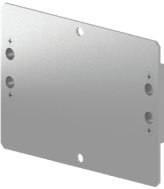

Solutions for PROCARE B20 / B40 and CARESCAPE B105 / B125 / B450 / B650

Above monitors require a 5" plunge plate presentation. Please refer to the mounting reference guide: 5" plunge plate adaption.

Illustration shown with CARESCAPE B650	Description	Part no.
	Support arm pivot	A-224A-Y.CD A-230A-Y.CD
	Extended pivot arm light duty	A-33030A-Y.CD
	Extended pivot arm heavy duty	A-H33030A-Y.CD
	Height adjustable arm	A-431A-Y.CD
	Extended height adjustable arm	A-73130A-Y.CD
	Counter top	T-HA-60.CD_50 T-HA-60.CD_120 T-HA-69.CD_50 T-HA-69.CD_120
	Cart light duty	R-002A.CD

Mounting adapter

Adapter plates are intended for CIM products only and are not sold separately unless approved by CIM med.

Illustration	Description	Part no.
	<p>Adapter plate 5" for FRAME F5 / Tram Rac Used only in combination with 5" plunge plate solutions.</p>	<p>GE-AP-F5/TR</p>
	<p>Adapter plate 5" for GE B105 / B105M / B125 / B125M Used only in combination with 5" plunge plate solutions.</p>	<p>GE-AP-B105/125</p>
	<p>Adapter plate for GE Dinamap V100/ Procare</p>	<p>GE-AP-PR1</p>
	<p>Adapter plate for GE Carescape VC150</p>	<p>GE-AP-VC</p>

Fixings

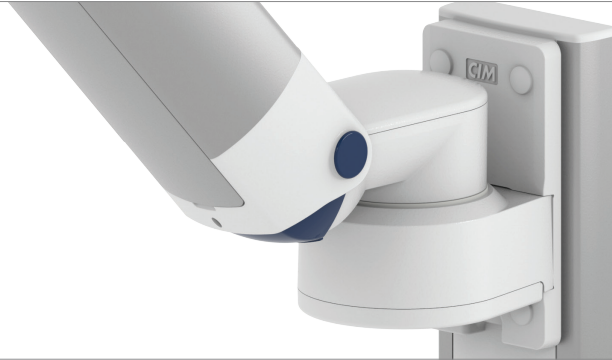










Illustration	Description	Notes	Part no.
	Adapter for vertical wall channel	To mount to CIM wall channel (compatible with GCX channel) Please order separately: CIM wall channel, see catalogue accessoires	4V
	Fixed rail clamp	To mount to horizontal European rails 10 x 25, 8 x 35, 10 x 30, 10 x 50 mm	2F
	Vertical rail clamp	To mount to vertical European rail 10 x 25 mm	3
	Dual vertical rail clamp	To mount to two parallel vertical European rails 10 x 50 mm Distance between rails 150 mm / 5.9", e.g. Dräger pendant Distance between rails 225 mm / 8.9", e.g. Trilux pendant	3DR 3TX
	Fixed pole clamp	To mount to pole \varnothing 25 mm / 1.0" To mount to pole \varnothing 30 mm / 1.2" To mount to pole \varnothing 35 mm / 1.4" To mount to pole \varnothing 38 mm / 1.5"	1 1B 1F 1C
	Universal pole clamp	V-block to mount to pole \varnothing 23 - 40 mm / 0.9 - 1.6"	1V
	Adapter medical supply units	For Mindray medical supply units	13
	Adapter pendants & headwalls	For Amico pendants & headwalls	17

Fixings for anaesthesia machines

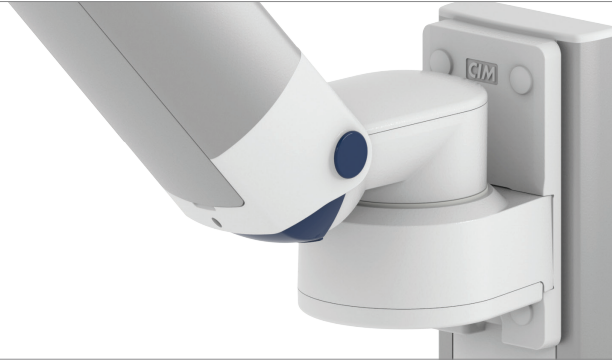


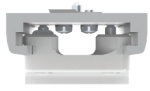


Illustration	Description	Notes	Part no.	
	Adapter for Löwenstein Medical anaesthesia machines	Adapter for Leon / Leon plus	9	
	Adapter for anaesthesia machines (all suppliers)	H 80 mm / 3.1" With existing side channel	4K	
If your anaesthesia machine does not have a side channel already mounted to the machine, please order the following in addition to 4K:				
	Adapter for Dräger	Dräger Primus / Julian / Cato / Fabius GS / Zeus side channel adapter L 127 mm / 5" side channel adapter L 320 mm / 12.6" side channel adapter L 480 mm / 18.9" side channel adapter L 210 mm / 8.3"	DR-J01 DR-J02 DR-J03 DR-J06	
				
		Adapter for GE	GE Avance / Aespire / Aestiva side channel adapter L 200 mm / 7.9" side channel adapter L 350 mm / 13.8"	DX-AES-01 DX-AES-02
				



CIM med GmbH

Euro-Industriepark
Margot-Kalinke-Str. 9
80939 Munich / Germany

T +49 89. 978 94 08-0

F +49 89. 978 94 08-29

M info@cim-med.com

www.cim-med.com

